

# A2

## FLEXFLO® Peristaltic Metering Pump



### Features

- > Self priming chemical metering pump delivers smooth chemical feed
- > Tube Failure Detection (TFD) senses tube rupture
- > Signal inputs include: 4-20mA, Pulse Inputs, Frequency Inputs
- > Signal outputs include: Relay (3 amp), 4-20mA (optional), Motor Status



**NEMA 4X**

### Highlights

**Flow range**

.02 – 21.23 GPH  
.07 – 80.4 LPH

**Pressures**

125 PSI  
(8.6 bar)

**Turndown ratio**

100 : 1

**Exclusive**

Tube Failure Detection  
(TFD)

**Motor**

Brushed DC

**Warranty**

2 Years

### Control Methods

Control Methods	Manual Control	4-20mA Input	Remote Start/Stop	Alarm Output	FVS	Motor Status Output
A2V	•	•	•	•	•	•



<b>Maximum Working Pressure</b>	125 psig (8.6 bar)
<b>Maximum Fluid Temperature</b>	185 °F (85 °C)
<b>Maximum Ambient Temperature</b>	14 °F to 115 °F/ -10 °C to 46 °C
<b>Maximum Viscosity</b>	12,000 Centipoise
<b>Maximum Suction Lift</b>	30 ft. Water at sea level (14.7 atm psi)
<b>Operating Voltage</b>	115VAC/60Hz, 1ph (1.5 Amp Maximum)
	230VAC/60Hz, 1ph (0.7 Amp Maximum)
	220VAC/50Hz, 1ph (1.0 Amp Maximum)
	240VAC/50Hz, 1ph (1.0 Amp Maximum)
	230VAC/50Hz, 1ph (1.0 Amp Maximum)
<b>Power Cord Options</b>	115V60Hz = NEMA 5/15 (USA)
	230V60Hz = NEMA 6/15 (USA)
	220V50Hz = CEE 7/VII (EU)
	240V50Hz = AS 3112 (Australia/New Zealand)
	230V50Hz = BS 1363/A (UK)
<b>Motor</b>	Brushed DC, 1/8 H.P.
<b>Duty cycle</b>	Continuous
<b>Motor Speed Adjustment Range</b>	100:1, (1.0% – 100% motor speed) Max. rpm = 130
<b>Display</b>	Backlit LCD, UV resistant
<b>Keypad</b>	Eight button positive action tactile switch keypad
<b>Maximum Overall Dimensions</b>	7-1/2" W x 10-1/4" H x 14" D (19 W x 26 H x 35.6 D cm)
<b>Product Weight</b>	28.4lb. (12.9 Kg)
<b>Approximate Shipping Weight</b>	35 lb. (15.9 Kg)
<b>Enclosure</b>	NEMA 4X (IP66)
<b>RoHS Compliant</b>	Yes
<b>Standards</b>	cETLus, CE

## Output Specifications

Tube Material / Size	Feed Rate			Max Pressure	Max Temperature
	GPH	LPH	mL/Min	PSI (bar)	°F (°C)
<b>Flex-A-Thane® Tube</b>					
GE	.04 - 4.0	15 - 15.2	3 - 253	65 (4.50)	130 (54)
GG	.09 - 9.3	.35 - 35.2	6 - 587	65 (4.50)	130 (54)
G2G	.15 - 14.9	.567 - 56.7	9.45 - 945	65 (4.50)	130 (54)
GH	.21 - 21.23	.80 - 80.4	13.4 - 1340	65 (4.50)	130 (54)
<b>Flex-A-Prene® Tube</b>					
ND	.02 - 1.7	.07 - 6.5	1 - 108	125 (8.60)	185 (85)
NEE	.044 - 4.44	.168 - 16.8	2.80 - 280	110 (7.60)	185 (85)
NGG	.172 - 17.2	.651 - 65.1	10.85 - 1085	110 (7.60)	185 (85)
<b>Flex-A-Chem® Tube</b>					
TH	.14 - 14.3	.54 - 54	9.0 - 900	50 (3.45)	130 (54)

**Non-wetted Components:**

**Enclosure:** 413 Aluminum (Polyester powder coated)

**Pump Head:** Valox® (PBT) thermoplastic

**Pump Head Cover:** Polycarbonate

Permanently lubricated sealed motor shaft support ball bearing.

**Cover Screws:** Stainless steel

**Roller Assembly:**

Rotor: Valox® (PBT)

Rollers: Nylon

Roller Bearings: SS Ball Bearings

**Motor Shaft:** Chrome plated steel

**TFD System Sensor:** Hastelloy C-276

**Power Cord:** 3 conductor, SJTW-A water-resistant

**Tube Installation Tool:** GF Nylon

**Mounting Brackets and Hardware:** 316 Stainless steel

**Wetted Components:**

**Pump Tube Assembly:**

Tubing : Flex-A-Prene®, Flex-A-Chem® or Flex-A-Thane®

Adapter Fittings : PVDF

**Injection/Back-Flow Check Valve (“S”, “B”, and “M” only):**

Body & Insert: PVDF

Check Ball: Ceramic

Spring: Hastelloy C-276

Ball Seat O-Ring: TFE/P

Static Seal O-Ring: FKM

**Ancillary Items Provided:**

**With “S” Tubing Type Only:**

Suction Tubing: 3/8” OD x 1/4” ID x 10’ Clear PVC

Discharge Tubing: 3/8” OD x 1/4” ID x 10’ Polyethylene

Suction Strainer: Polypropylene

**With “B” Tubing and “M” M/NPT Connections Only:**

Suction Strainer: PVDF

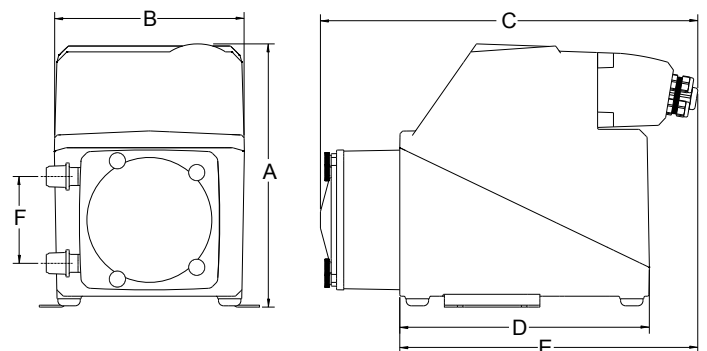
**Ancillary Items Not Included (unless stated above):**

Injection Fitting, Foot Valve/Strainer, Suction Tubing/Pipe, Discharge Tubing/Pipe, Quick Disconnect Valves, or Communications Wire/Cable.

\*\* Flex-A-Prene®, Flex-A-Thane®, and Flex-A-Chem® tubing comply with FDA 21 CFR, 117.2600 criteria for food processing.

## Dimensions

Dim	Inch	cm	Dim	Inch	cm
A	10-1/4"	26	D	9-1/2"	24.1
B	7-1/2"	19	E	11"	27.9
C	14"	35.6	F	3-3/8"	8.6




# Model Number Matrix

A2

## FLEXFLO® Model Number

<b>A2</b>	FLEXFLO® Peristaltic Metering Pump										
<b>Series Control Options</b>											
<b>V</b>	Multiple automatic input output control and alarm modes (remote control)										
<b>Power Cord (operating voltage requirement 96VAC to 264VAC)</b>											
<b>4</b>	115V / 60HZ, power cord NEMA 5/15 plug (US)				<b>8</b>	240V / 50HZ, power cord AS 3112 plug (AU/New Zealand)					
<b>5</b>	230V / 60HZ, power cord NEMA 6/15 plug (US)				<b>9</b>	230V / 50HZ, power cord BS 1363 plug (UK)					
<b>6</b>	220V / 50HZ, power cord CEE 7/II plug (EU)				<b>X</b>	No Power Cord					
<b>Inlet/Outlet Connection Size, Connection Type, Connection Material</b>											
<b>S</b>	3/8" OD x 1/4" ID Tube Compression Fitting, Natural PVDF (Kynar)										
<b>M</b>	1/2" Male NPT Fitting, Natural PVDF (Kynar)										
<b>B</b>	1/2" ID Tubing Barb Fitting, Natural PVDF (Kynar), available for ND, NEE, NGG, and G2G only										
<b>C</b>	1/2"-3/4" Tri-clamp connections, Natural PVDF (Kynar), available for ND, NEE, NGG, and G2G only										
<b>Q</b>	Quick Disconnect, Natural PVDF (Kynar), available for ND, NEE, NGG, and G2G only (valves sold separately)										
<b>MB</b>	1/2" Male BSPT Fitting, Natural PVDF (Kynar)										
<b>Pump Tube Material, Pump Tube Size *dual tube</b>											
<b>ND</b>	Flex-A-Prene® .075 ID   .02-1.7 GPH   125 PSI				<b>GE</b>	Flex-A-Thane® .125 ID   .04-4.0 GPH   65 PSI					
<b>NEE*</b>	Flex-A-Prene® .093 ID   .044-4.44 GPH   110 PSI				<b>GG</b>	Flex-A-Thane® .187 ID   .09-9.3 GPH   65 PSI					
<b>NGG*</b>	Flex-A-Prene® .187 ID   .172-17.2 GPH   110 PSI				<b>G2G*</b>	Flex-A-Thane® .312 ID   .15-14.98 GPH   65 PSI					
<b>TH</b>	Flex-A-Chem® .250 ID   .14-14.3 GPH   50 PSI				<b>GH</b>	Flex-A-Thane® .312 ID   .21-21.23 GPH   65 PSI					
<b>mA Output</b>											
<b>(Blank)</b>	Standard										
<b>3</b>	4-20 mA Analog Output										
<b>Pumphead Orientation</b>											
<b>(Blank)</b>	Standard - Left facing pumphead										
<b>R</b>	Right facing pumphead										
<b>D</b>	Down facing pumphead										
<b>A2</b>	<b>V</b>	<b>2</b>	<b>4</b>	<b>-</b>	<b>S</b>	<b>ND</b>	<b>-</b>	<b>3</b>	<b>(Blank)</b>	<b>D</b>	<b>Sample Model Number</b>

## Accessories



1/4" x 3/8" "S" Fitting  
1/2" Hose Barb "B" Fitting  
1/2" MNPT "M" Fitting

**Quick Disconnects**

- \*KIT-QSV FKM O-rings
- \*KIT-QSE EP O-rings
- \*KIT-QSA Aflas O-rings
- \*KIT-QBV FKM
- \*KIT-QBE EP
- \*KIT-QBA Aflas
- \*KIT-QMV FKM
- \*KIT-QME EP
- \*KIT-QMA Aflas



**KIT-PSM**  
Wall Mount Bracket, HDPE



**TI40-6V**  
T.I. INJECTOR, 3/8" OD



**C-340A**  
FOOT VALVE



**A2-(see spare parts page)**  
Spare Tube Element

Visit Accessory Pages for More Options

P.N. 85000-114 A2 REV 7 20250220

4 5300 Business Drive, Huntington Beach, CA 92649  
TEL 714-893-8529 | FAX 714-894-9492 | www.blue-white.com | sales@blue-white.com

ISO 9001:2015  
CERTIFIED



MADE IN THE  
**USA**