

Blue-White®

FLEXFLO® Peristaltic Metering Pumps

Engineering and Technical Data

A-100NV

Variable Speed

Digital Control

**4-20mA, 0-10VDC
& Pulse Inputs**



Features:

- ! Peristaltic pump design does not have valves that can clog requiring maintenance.
- ! Self priming - even against maximum line pressure. By-pass valves are not required. Cannot vapor lock or lose prime.
- ! Outputs to 5.17 GPH (19.56 LPH).
- ! Output pressures to 100 PSI (6.9 bar).
- ! Output volume is not effected by changes in back pressure.
- ! Patented pump tube design installs easily and stays centered on the rollers without manual adjustment.
- ! Two pump tubes supplied with each pump. No extra tubing required.
- ! Accepts 4-20mA, 0-10Vdc, and Pulse inputs for manual or
- ! Operator friendly digital touch pad.
 - Easy to read LCD display
 - Service and Alarm indicator icons.
 - Display motor speed or input signal values.
 - Prime mode for easy priming without changing programming.
- ! Built-in Tube Failure Detection system (TFD). Senses chemical in the pump head, shuts off the pump and activates a 1 amp alarm relay (dry contact closure).
- ! Compatible with Blue-White's output flow verification sensor system.
- ! Durable housing of chemical resistant Valox (PBT)

Specifications:

Max. working pressure:100 psig (6.9 bar)	Voltage (amp draw):115VAC/60Hz, 1ph (.350 amp max)
Max. fluid temperature:130° F (54° C)	230VAC/60Hz, 1ph (.173 amp max)
Max. ambient temperature:14° to 110° F/-10° to 43° C	220VAC/50Hz, 1ph (.175 amp max)
Output adjustment range:		240VAC/50Hz, 1ph (.193 amp max)
14 & 30 RPM with -1T, -2T, -4T tubes:	5-100% (20:1 turndown)	Power Cord Plug Type:115V60Hz = NEMA 5/15 (USA)
All other models:10-100% (10:1 turndown)	220V50Hz = CEE 7/III (EUROPE)
Duty cycle:Continuous	Approximate shipping wt:12 lb. (5.4 kg)
Maximum viscosity:5,000 Centipoise		
Maximum suction lift:30 ft. Water 0 psig		
Maximum Solids:50% by volume		
Enclosure:NEMA 3R, (IP23)		

Materials of Construction:

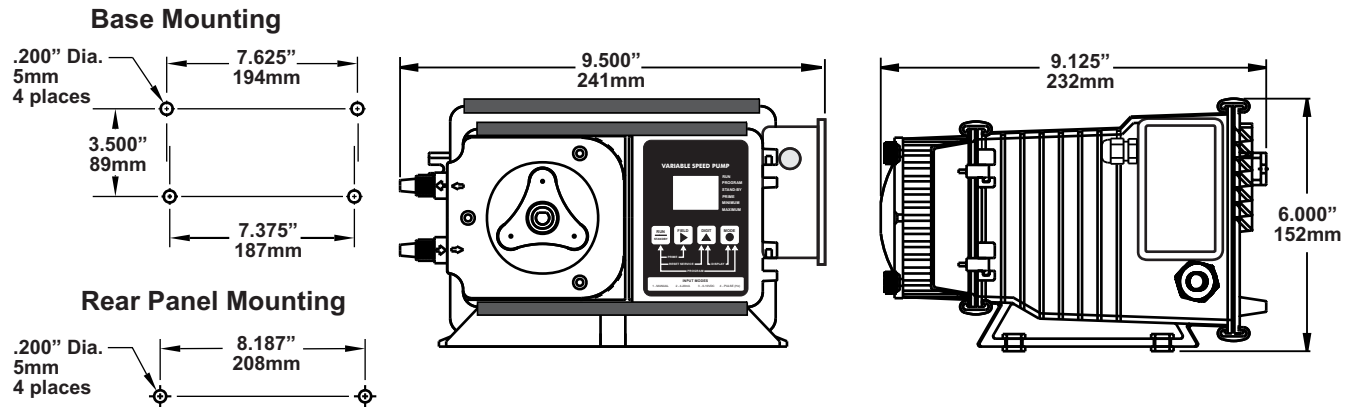
Wetted components:

Pump Tube Assembly:Flex-A-Prene®, Flex-A-Chem®, Flex-A-Thane® with PVDF connection fittings
Suction Tubing:Clear PVC
Suction Strainer:Natural Polypropylene
Discharge Tubing:Natural Polyethylene (LLDPE)
Injection/Check valve:	
Body & insert:Polypropylene (optional PVDF)
Check Ball:Ceramic
Spring:Hastelloy C-276
Ball Seat O-ring:TFE/P (optional EP)
Static Seal O-ring:FKM (optional EP)

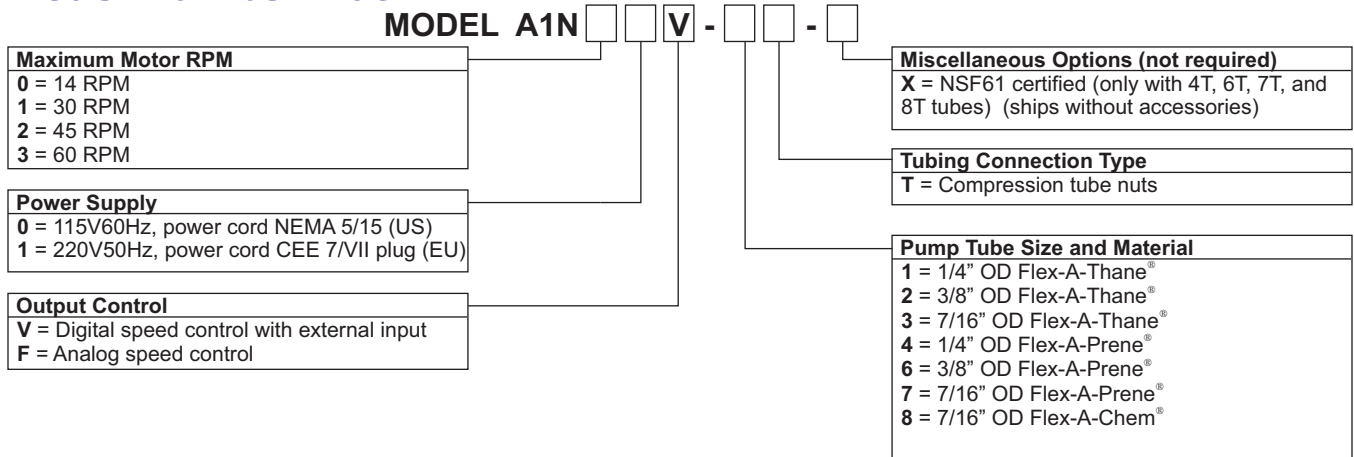
Non-Wetted components:

Pump Head & Enclosure:Valox® (PBT) thermoplastic
Pump Head Cover:Clear Acrylic
Cover Screws:300 Stainless, Polypropylene cap
Roller Assembly:	
Rotor:Valox® (PBT)
Rollers:Nylon
Roller Bearings:Bronze
Motor Shaft:Nickel plated steel
TFD System Sensor pins:Hastelloy C-276
Power Cord:3 conductor, SJTW-A Water-resistant

Dimensions:



Model Number Matrix:



Maximum Flow rate and pressure capacities:

Tube no.	Tubing Material	14 RPM MODELS					30 RPM MODELS					45 RPM MODELS					60 RPM MODELS				
		ml/m	oz/m	lph	gph	PSI(bar)	ml/m	oz/m	lph	gph	PSI(bar)	ml/m	oz/m	lph	gph	PSI(bar)	ml/m	oz/m	lph	gph	PSI(bar)
1	Flex-A-Thane®	15	0.51	0.90	0.24	65(4.5)	35	1.18	2.10	0.55	65(4.5)	54	1.83	3.24	0.86	65(4.5)	67	2.26	4.02	1.06	65(4.5)
2	Flex-A-Thane®	32	1.08	1.92	0.51	65(4.5)	75	2.54	4.50	1.19	65(4.5)	115	3.89	6.90	1.82	65(4.5)	140	4.73	8.40	2.22	65(4.5)
3	Flex-A-Thane®	73	2.47	4.37	1.16	50(3.5)	173	5.85	10.38	2.74	50(3.5)	261	8.82	15.66	4.14	50(3.5)	326	11.01	19.56	5.17	50(3.5)
4	Flex-A-Prene®	6	0.20	0.36	0.10	100(6.9)	13	0.44	0.78	0.21	100(6.9)	21	0.71	1.26	0.33	100(6.9)	25	0.85	1.50	0.40	75(5.2)
6	Flex-A-Prene®	18	0.61	1.08	0.29	100(6.9)	42	1.42	2.52	0.67	100(6.9)	63	2.13	3.78	1.00	100(6.9)	79	2.67	4.74	1.25	75(5.2)
7	Flex-A-Prene®	57	1.92	3.42	0.90	50(3.5)	138	4.66	8.28	2.19	50(3.5)	200	6.76	12.00	3.17	50(3.5)	250	8.45	15.00	3.96	50(3.5)
8	Flex-A-Chem®	40	1.35	2.40	0.63	50(3.5)	84	2.80	5.04	1.31	50(3.5)	140	4.73	8.40	2.22	50(3.5)	180	6.10	10.80	2.85	50(3.5)

Replacement Pump Tubes:

Pump Model Number Suffix	Pump Tube Part Number	Pump Tube Material	Nominal Pump Tube OD
-1T	A1-1T	Flex-A-Thane®	1/4" (6,4mm)
-2T	A1-2T	Flex-A-Thane®	3/8" (9,5mm)
-3T	A1-3T	Flex-A-Thane®	7/16" (11,1mm)
-4T	A1-4T	Flex-A-Prene®	1/4" (6,4mm)
-6T	A1-6T	Flex-A-Prene®	3/8" (9,5mm)
-7T	A1-7T	Flex-A-Prene®	7/16" (11,1mm)
-8T	A1-8T	Flex-A-Chem®	7/16" (11,1mm)

Gallons shown are U.S. Gallons