

CFPS-1-M

CHEM-FEED® Plastic Single Skid System



Features

- > Chemically resistant polyethylene structure
- > Leak free, threadless connections
- > Pressure Relief Valve protects the system from over-pressurization
- > Check Valve protects the user from back-flow
- > Flow Indicator provides a visual indication of chemical movement

Video link: 

Highlights

Piping

PVC Schedule 80
(optional CPVC, PVDF, and
Chem Proline® PE)

Pressure

150 PSI
(10.3 bar)

Compatibility

M1, M2, M3, M4,
MD1, C2, C3, MD3

Frame material

Polyethylene

Mounting position

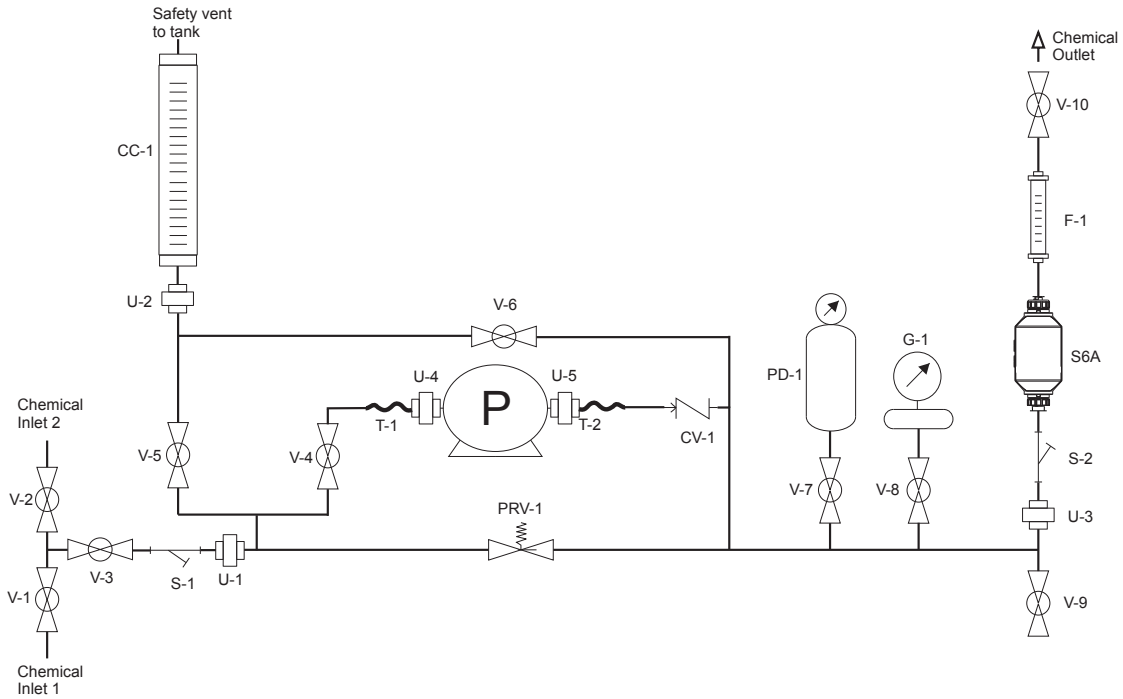
Floor or wall

Warranty

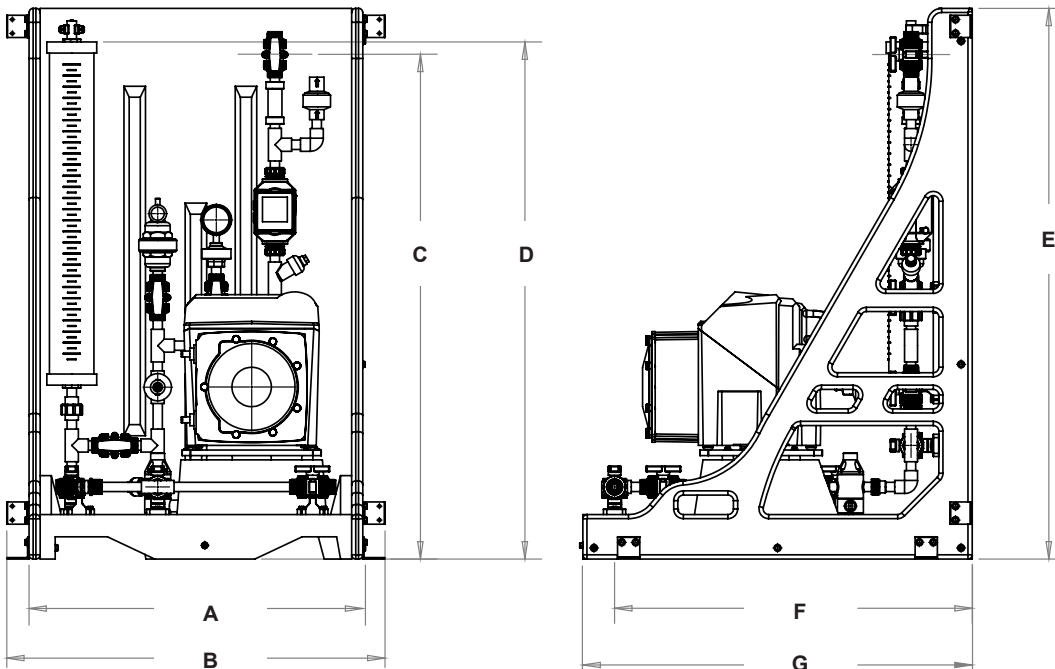
2 Years



Skid	Chemically resistant polyethylene structure
Pump (sold separately)	FLEXFLO® M1, M2, M3 or M4 peristaltic pumps CHEM-FEED® MD1, C2, C3 or MD3 diaphragm pumps
Piping	1/2" PVC Schedule 80 (optional CPVC, PVDF, Chem Proline®)
Seals	FKM seals (optional EPDM)
Tubing (T)	Reinforced braided PVC, 200 psi max, certified NSF 51 / NSF 61. The pump inlet and outlet flexible tubing connections are terminated to half unions and secured to the barbed fitting with stainless steel clamps. (Optional: 1/2" PTFE, 1/4" PE, 1/4" PTFE)
Tubing Clamps	300 series SS band, 400 series SS screw
Unions (U)	PVC body, schedule 80 (optional CPVC, PVDF)
Ball Valves (V)	True unions, Vented, PVC body, PTFE shaft bearings and seats (optional CPVC, PVDF)
Pressure Relief Valve (PRV)	PVC body, PTFE primary diaphragm seal. Non-wetted components: EPDM secondary seal, zinc plated steel spring, stainless steel external hardware, HDPE pressure adjustment screw. Infinite adjustment from 10-150 psi. (optional CPVC, PVDF)
Calibration Cylinder (CC)	PVC body, PVC end caps, 1/2" PVC pipe outlet vent. Available volumes: 3 GPH (100ml), 8 GPH (250ml), 16 GPH (500ml), 32 GPH (1000ml), 64 GPH (2000ml), and 132 GPH (4000mL).
Pulsation Dampener (PD)	CPVC body, 10 cubic inch volume (optional PVDF)
Gauge W/Guard (G)	Gauge: liquid filled stainless steel with blowout plug, bottom mount, 1/4" NPT threads. Available pressure ranges: 0-60 psi, 0-160, psi, 0-300 psi. Guard: PVC body, temperature compensated oil filled. (optional CPVC, PVDF)
Check Valve (CV)	PVC body. Cracking pressure: 1.0-1.5 psi Maximum working pressure: inlet = 150 psi, back = 100 psi (optional CPVC, PVDF)
Flow Indicator (F)	Machined cast acrylic, PVC connections, ceramic ball, PVDF ball stop, PVC half unions.
Flow Sensor (MS6)	PVDF and PEEK Body. Available Flow Ranges: 10 - 5,000 ml/min, 100-10,000 ml/min
Y Strainer (S)	PVC body, 1/32" Mesh (optional CPVC, PVDF)
Pressure Switch (PSH)	316 Stainless Steel
Back-Pressure Valve (BPV)	PVC body, 0-150 PSI Range (optional CPVC, PVDF)
Universal Mounting Blocks	PA 12
Pump Extended Mounting Brackets	316 Stainless Steel
Skid Mounting Foot Pads	316 Stainless Steel
Mounting Hardware	304 Stainless Steel - Wall or Floor mounting acceptable
Maximum Working Pressure	150 psig (10.3 bar)
Operating Temperature	14 °F to 115 °F (-10 °C to 46 °C)
Containment Volume	2.2 gal (8.4L) - Integral to skid. 1/4" FNPT drain port.
Maximum Overall Dimensions	30.0"W x 49.5"H x 35.0"D (76.2W x 125.73H x 88.9D cm)
Approximate Shipping Weight	Standard: 115 lb. (52 Kg) - With mounted pump: up to 150 lb. (68 Kg)
Approximate Shipping Dimensions	48" x 44" x 64"



Dimensions



Dim	Inch	cm	Dim	Inch	cm
A	30.00"	76.20	E	49.50"	125.73
B	34.00"	86.36	F	32.15"	81.65
C	8.87"	22.54	G	35.00"	88.90
D	45.37"	115.24			

Model Number Matrix

CFPS-1-M

CHEM-FEED® Simplex Skid System Matrix - Municipal

CFPS-1 Single pump system - PE structure															
Inlet/Outlet															
A	Single Inlet / Single Outlet														
X	None, Skid Panel Only														
Piping/Unions															
A	PVC	B	CPVC	C	PVDF	D	Chem Proline®								
Seals															
V	FKM			E	EPDM										
Tubing Connections (Verify tubing connection matches pump outlet when ordering)															
A	1/2" ID PVC Braided			B	1/2" ID PTFE			C	1/4" ID PE			D	1/4" ID PTFE		
Calibration Column															
A	128 GPH (4000 mL) PVC					F	3 GPH (100 mL) PVC								
B	64 GPH (2000 mL) PVC					P	32 GPH (1000 mL) Glass								
C	32 GPH (1000 mL) PVC					Q	16 GPH (500 mL) Glass								
D	16 GPH (500 mL) PVC					R	6 GPH (200 mL) Glass								
E	8 GPH (250 mL) PVC					S	3 GPH (100 mL) Glass								
Pulsation Dampener															
P	10 cubic in					X	Not Included								
Back Pressure Valve															
B	Included					X	Not Included								
Pressure Gauge w/Guard															
A	300 PSI				B	160 PSI				C	60 PSI				
Pressure Switch w/Guard															
S	Included					X	Not Included								
Flow Meter w/Strainer															
A	10-5000 mL/m					B	100-10000 mL/m								
X	Not Included														
Terminal Box - Includes mounted 120VAC/20A receptacle kit. TA and TB boxes include M12 cables to connect to pumps. TC and TD boxes include shielded cable and conduit to connect to pumps.															
TA	M3S/M4S/MD3S					TD	M3/M4/MD3(Legacy)								
TB	M1/MD1					X	Not Included								
TC	M2/C2/C3														
Pump															
P	Mounted					X	Not Included								
*reference Adapter Kits Sheet 85000-198 when ordering with pumps utilizing "M = 1/2"MNPT " or "F = 1/2"FNPT" connections.															
CFPS-1	M	A	A	V	A	-	A	P	B	A	S	A	TA	P	Sample Model Number

NOTE: When ordering pumps for skids, pump head orientation is standard LEFT facing only. All skids are pressure tested prior to shipment. Pumps are purchased and shipped separately. Contact factory for quote/pricing on 5-point performance testing. **Customer is responsible for ensuring skid components are compatible with any chemicals being used.**